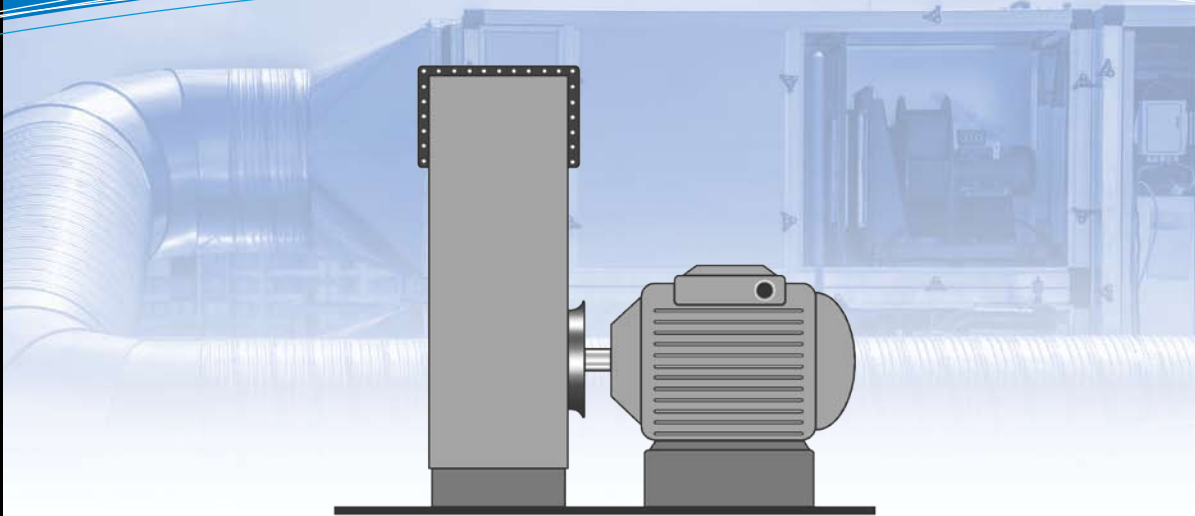


ALTA ADVANTAGES

- Integration with Existing Plant Infrastructure
- Synchronize Process Data with Machine Dynamic Data
- Off-line Analysis without having to Re-capture Data
- Real-time Data Collection
- Advanced Vibration and Transient Analysis
- Intelligent Alarming
- Cybersecure



PROTECTION MEASUREMENTS: Shaft Vibration, Bearing Vibration, Position Measurement, Phase, Speed Measurements, Axial Position Protection, Process Variables.

COMMON FAULTS TO DIAGNOSE:

FANS: Structural Resonances, Structural Cracks in Impeller Wheel, Loose Wheel on Shaft, Aerodynamic Problems, Pedestal Stiffness/Asymmetry, Belts and Pulleys, Acoustical Duct Resonance, Lubrication Loss, etc.

MOTOR: Bearing Faults, Air Gap Variation, Broken Rotor Bars, Eccentric Motor, Stator Flexibility, Off Magnetic Center, Stator Shorts

COMBINED: Mass Imbalance, Misalignment, Shaft Bow, Coupling Lockup, Thermal Variability, Distortion, etc.

ADVANCED CONDITION MONITORING SYSTEM



- Advanced Machine Analysis
- Powerful Transient Data Collection
- Seamlessly Plant Intergration
- Built-In Flight Data Recorder

Additional Features:

- Machine Data Collection
- Industrial Chassis
- Plant Interfaces
- Sensor Support

API 670 COMPACT MACHINERY PROTECTION SYSTEM



- API 670 5TH Edition Compliant Integrates
- Powerful Machine Analysis
- Modular System for Easy Upgrading and Replacement
- Supports for Multiple Standard Plant Interfaces
- Easy to Install and Maintain.
- Built-In

API 670 MPS WITH ADVANCED CONDITION MONITORING



- API 670 5th Edition Compliant
- Integrates Powerful Machine Analysis Modular System for Easy Upgrading and Replacement
- Uses Standard and Common Wiring Connectors
- Support for Multiple Standard Plant Interfaces
- Easy to Install and Maintain

 **Alta Solutions**
Alta Solutions Incorporated
 12580 Stowe Drive
 Poway, CA. 92064 USA
 Toll-Free: (877) 258-2765
 Email: sales@altasol.com
 Web Site: www.altasol.com

