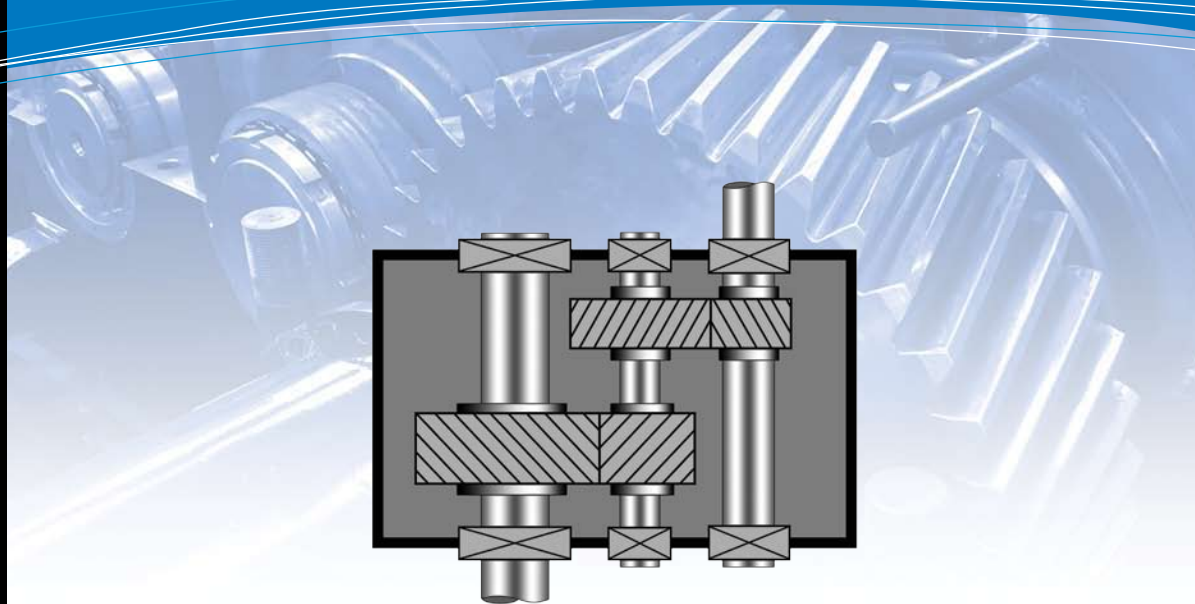


ALTA ADVANTAGES

- Integration with existing plant infrastructure
- Synchronize process data with machine dynamic data
- Off-Line analysis without having to re-capture data
- Real-Time data Collection
- Advanced vibration and transient analysis
- Intelligent alarming
- Cybersecure



With Alta Solutions GAP Free collection you won't miss a beat.

Monitor, Analyze, and Protect your assets from common faults:

PUMPS: Critical, Structural Resonances, Impeller Eccentricity, Impeller Imbalance, Impeller/Diffuser Clearance(gaps), Recirculation (loe flow), Cavitation (low suction head), Oil Whirl, Wear Ring Clearance, Lubrication Loss, etc.

MOTOR: Bearing Faults, Air Gap Variation, Broken Rotor Bars, Eccentric Motor, Stator Flexibility, Off Magnetic Center, Stator Shorts

COMBINED: Mass Imbalance, Misalignment, Shaft Bow, Coupling Lockup, Thermal Variability, Distortion, etc:

PROTECTION SYSTEM WITH ADVANCED MONITORING



API 670 5th Edition Compliant Integrates Powerful Machine Analysis Modular System for Easy Upgrading and Replacement Uses Standard and Common Wiring Connectors Support for Multiple Standard Plant Interfaces Easy to Install and Maintain

ADVANCED CONDITION MONITORING SYSTEM



Advanced Machine Analysis Powerful Transient Data Collection Seamlessly Plant Intergration Built-In Flight Data Recorder

Additional Features:
 Machine Data Collection
 Industrial Chassis
 Plant Interfaces
 Sensor Support

COMPACT PROTECTION SYSTEM



Real-Time Machinery Protection System 24/7 Continuous Machinery Monitoring Modular and Cost Effective Package Inhibit and Trip Multiply Inputs Programmable Relay and 4-20mA Recorder Outputs

 **Alta Solutions**
 Alta Solutions Incorporated
 12580 Stowe Drive
 Poway, CA. 92064 USA
 Toll-Free: (877) 258-2765
 Email: sales@altasol.com
 Web Site: www.altasol.com