

# AS-5050 Datasheet

## Rugged and Compact Field Instrument Case

---



### DESIGNED FOR RAPID FIELD DEPLOYMENT

The AS-5050 case was specially designed to allow the AS-1250FE hardware to be deployed with a laptop or tablet in the field in area where the environment is not friendly to analytical equipment. The AS-1250 is securely mounted to a mounting plate by a hold down strap. A BNC cable bundle provides the connections from the AS-1250 to the bulkhead BNC connectors.

### WATER TIGHT AND RUGGED CONNECTIONS

The case was designed to have water tight connectors of all the incoming and outgoing signals including AC power, Ethernet, and signal inputs. The analog input uses a recessed and rugged bulkhead BNC connector that allows the quick disconnection.

### LAPTOP AND TABLET MOUNTING

The case provides mounting straps to be used during shipment and operation to securely hold the laptop or tablet to the case's lid.

### BATTERY OPTION

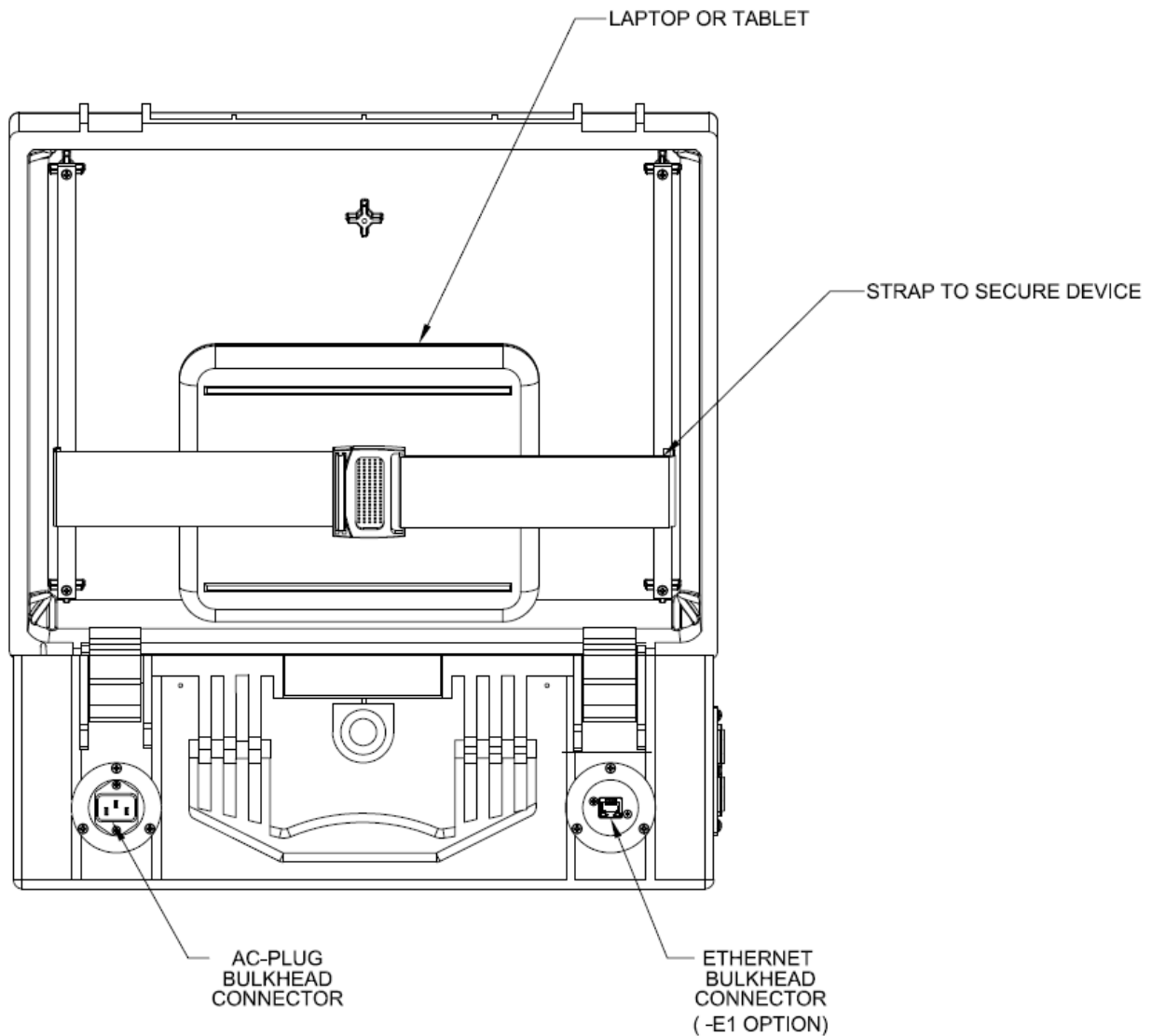
The case has an integrated battery option to power the laptop or tablet and AS-1250FE for multiple hours of operation.



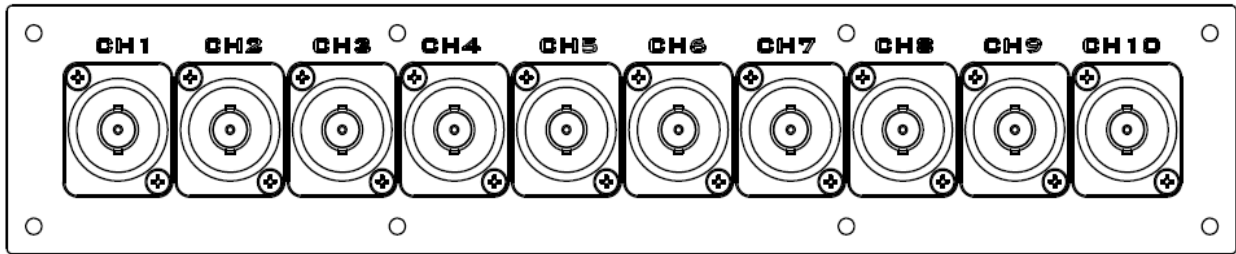
## AS-5050 Specifications

### GENERAL

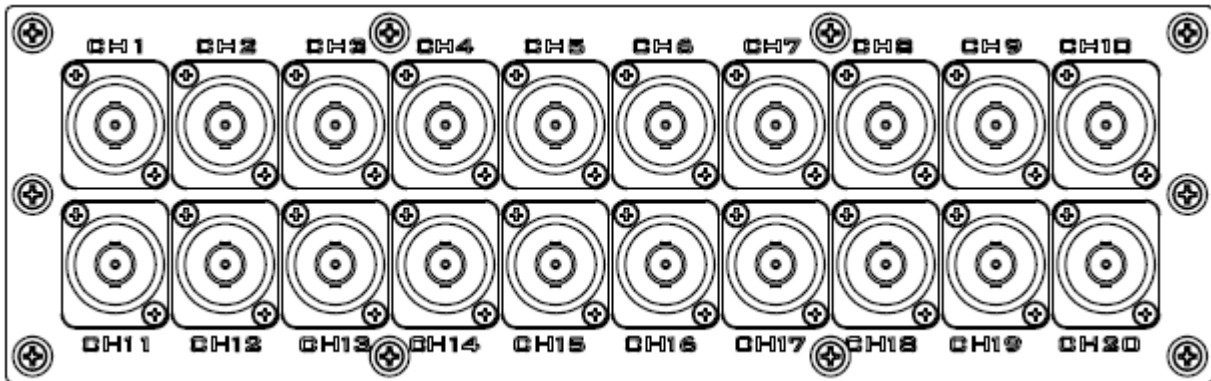
<b>Number of Inputs</b>	4, 6, 8, 10, 12, 14, 16, 18, 20
<b>Input Power Connector</b>	C14 with a Marinco watertight housing
<b>Ethernet Connector</b>	RJ45 (CAT 5/6 cable) with a Marinco watertight housing
<b>Dimensions (Width x Depth x Height)</b>	52.5 cm x 43.7 cm x 21.3 cm (20.66" x 17.20" x 8.40")
<b>Weight</b>	13.6 kg (30 lbs) – Includes case and AS-1250-C10. Laptop, tablet, battery not included in weight.
<b>Construction</b>	Polypropylene



INPUT CONFIGURATIONS



10 Channel Example



20 Channel Example

BATTERY SPECIFICATIONS

<b>General</b>	Removable from case
<b>Capacity</b>	50,000 mAh/185 Wh
<b>Typical Performance</b>	Based on AS-1250 with 8 channels and 2 phase markers, 10 hours of operation
<b>Size</b>	8.1" x 5.3" x 1.3"
<b>Weight</b>	3 lbs

ORDERING INFORMATION

**Ordering Model Number Format: AS-5050-XX-EX-BX**

<b>Number of BNC Inputs</b>	04, 06, 08, 10, 12, 14, 16, 18, 20
<b>Ethernet Option</b>	E0 = No connection provided E1 = Copper Ethernet connection provided
<b>Battery Option</b>	B0 = Battery not included B1 = 50,000 mAh battery included



© Copyright 2016-2019 Alta Solutions. All rights reserved

12580 Stowe Drive, Poway, CA 92064

Website: [www.altasol.com](http://www.altasol.com) – Phone: 877-258-2765